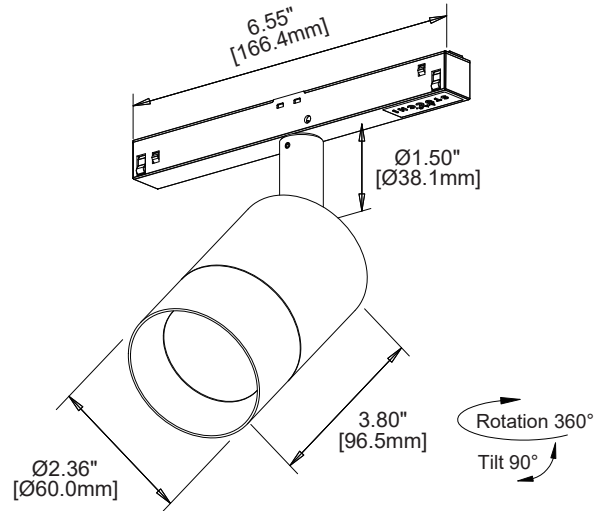


Specification sheet

REV.4

VAL 55 TSM
Specter Magnet 48Vdc Track System



Description

VAL 55 is a MACRON interpretation of both elegance and performance in lighting. VAL 55 CTSM for low voltage track (Specter Magnet) delivers up to 1000 lm from a 60mm (2.4") aperture and 96mm (3.8") body. Its absolutely unquestionable proportion integrates into modern aesthetics. Unique features including twist-lock bezel, field interchangeable lens, 90-degree tilt, 360-degree rotation, and 0-10V dimming. The extended stem is designed to fit the deep low-voltage tracks from A.A.G. Stucchi for the most stealth lighting installation available.

Features

LED	Lumiled Luxeon COB1203
Color temperature	2700K/ 3000K/ 3500K/ 4000K
Optics	Spot 21° / Medium 30° / Wide 40°
Driver	Integrated DC-DC driver, power factor >0.90 Output current 350 mA

Performance

Delivered output	Up to 968 lm(90+ CRI)
Power consumption	12 W
Color rendering	90+ CRI
CBCP	Spot 4116 cd / Medium 2795 cd / Wide 1889 cd
Lumen maintenance	L80 B10 50,000hrs

Ordering Code Information

PRODUCT	MOUNTING TYPE	SHAPE	COLOR TEMPERATURE	FINISH	BEAM ANGLE	COLOR RENDERING	INPUT / DIMMING
VAL 55 CT	SM	R	27	WHBK	S	9	A
VAL 55 CT (VAL 55 Track Cylinder)	SM (Specter Magnet 48Vdc Track System)	R (Round)	27 (2700K) 30 (3000K) 35 (3500K) 40 (4000K)	WHBK (White/Black) BKBK (Black/Black) BKGD (Black/Gold)	S (Spot/ 21 deg.) M (Medium / 30 deg.) W (Wide / 40 deg.)	9 (90 CRI+)	A (0-10V Dimming)

Electrical and Control

Input voltage	48Vdc
Control	0-10V Dimming
Feature	Overload & short circuit protection

Construction

Material	Casting & Extrusion grade Aluminum Alloy
Finishes	White body with black bezel Black body with gold bezel Black body with black bezel
Optics	Field Interchangeable optics

Rating/ Certification/ Warranty

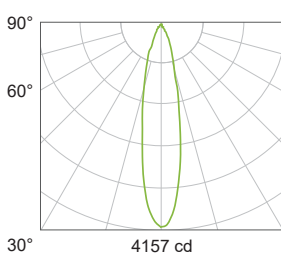
- Dry and damp Locations
- RoHS compliant
- 5 years/ 50,000 hrs warranty

Photometrics

12.5W | 90CRI | 3000K | White body with Black trim

Spot 21°

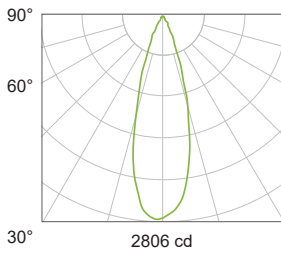
Delivered Output : 968 lm | CBCP : 4116 cd | Beam Angle : 21°



Center Beam Intensity	Beam Width	Height
4157 lx	38cm	1m
1039 lx	76cm	2m
462 lx	113cm	3m
260 lx	151cm	4m
166 lx	189cm	5m

Medium 30°

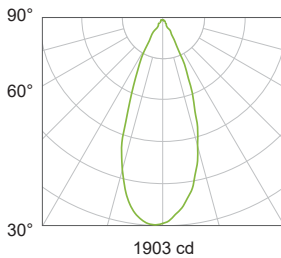
Delivered Output : 922 lm | CBCP : 2795 cd | Beam Angle : 30°



Center Beam Intensity	Beam Width	Height
2804 lx	55cm	1m
701 lx	109cm	2m
311 lx	164cm	3m
175 lx	219cm	4m
112 lx	273cm	5m

Wide 40°

Delivered Output : 934 lm | CBCP : 1889 cd | Beam Angle : 40°



Center Beam Intensity	Beam Width	Height
1900 lx	73cm	1m
475 lx	147cm	2m
211 lx	221cm	3m
119 lx	294cm	4m
76 lx	368cm	5m

Optional Accessory

Product

ACC.

VAL 55

HCL

VAL 55

HCL
Honey Comb Louver

